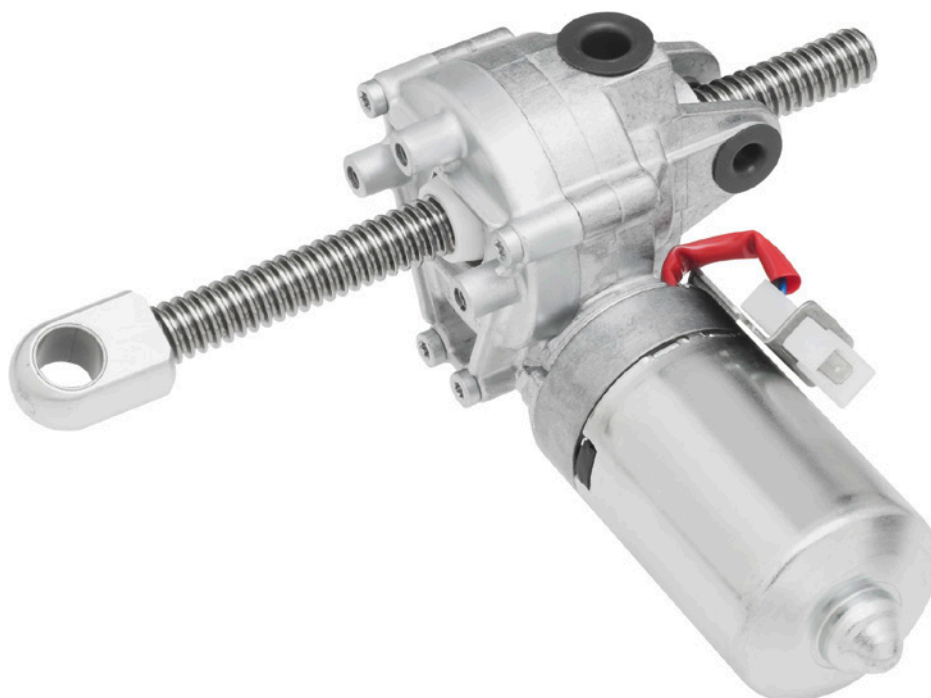


## ACTUATOR TYP 200 KS



### TYP 200 KS

Actuator Article number	Unit	200 KS, Spindle 16x2 2KSAYYYYZZZMNA24	200 KS, Spindle 16x3,6 2KSDYYYYZZZMNA24	200 KS, Spindle 16x4 2KSEYYYYZZZMNA24	200 KS, Spindle 16x8*** 2KSGYYYYZZZMNA24
Push force max.	N	6000	6000	5400	2700
Pull force max. **	N	6000	6000	5400	2700
Speed (without load)	mm/s	6,8	12,3	13,6	27,2
Power rating	W	50...150	50...150	50...150	50...150
Max. stroke**	mm	375	272	287	406
Overall length w/o. rod eye	mm	Stroke + 90	Stroke + 90	Stroke + 90	Stroke + 90
Overall length with rod eye	mm	Stroke + 115	Stroke + 115	Stroke + 115	Stroke + 115
Voltage	V/DC	24...48	24...48	24...48	24...48
Max. power input	W	300	300	300	300
Max. power consumption	A	2...12	2...12	2...12	2...12
Plug type****		Blade terminal 6,3x0,8	Blade terminal 6,3x0,8	Blade terminal 6,3x0,8	Blade terminal 6,3x0,8
Cycle duty (S3)	min	1 / 9 (10 %)	1 / 9 (10 %)	1 / 9 (10 %)	1 / 9 (10 %)
Environment temperature	°C	0...40	0...40	0...40	0...40
Protection rate*	IP	up to 54	up to 54	up to 54	up to 54
Isolation class		E	E	E	E
Weight (without spindle)	kg	2,2	2,2	2,2	2,2
Gear reduction		1:20,25	1:20,25	1:20,25	1:20,25
Pulse travel length (2-Hall)	mm/ pulse	0,0989	0,1778	0,1975	0,3951
Integrated end switches		No	No	No	No

Stroke tolerance (+/- 2mm) and operating speed depending on load and voltage

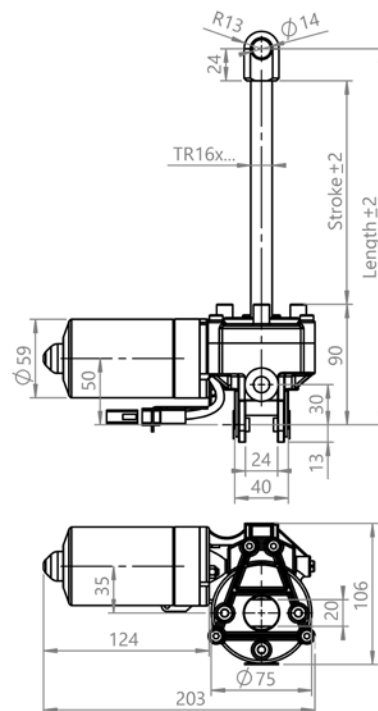
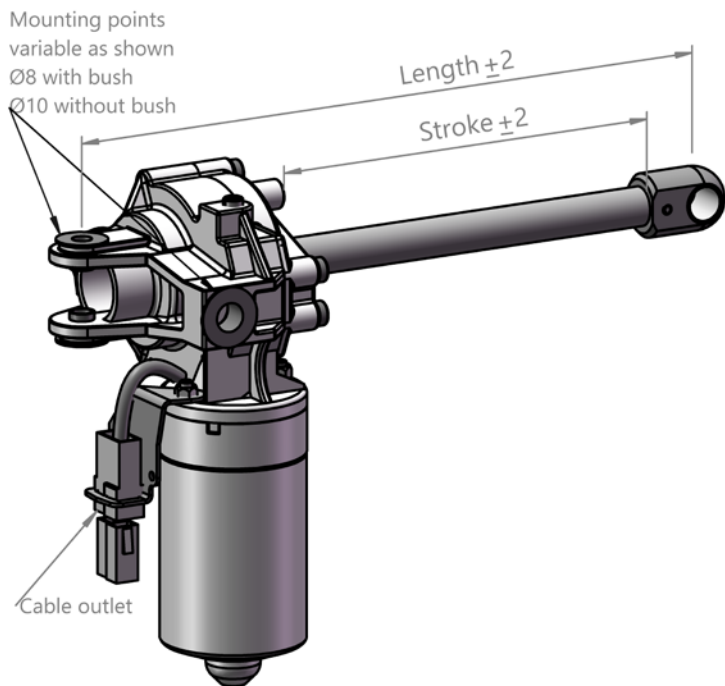
\*Depends on installation position

\*\*Related to spindle bending at safety factor SF=2

\*\*\* No self-locking

\*\*\*\* Plug type Molex Mini Fit Jr. if used with hallsensors  
 Controllers and add-on components see accessoires

## ACTUATOR TYP 200 KS



## TYP 200 KS

