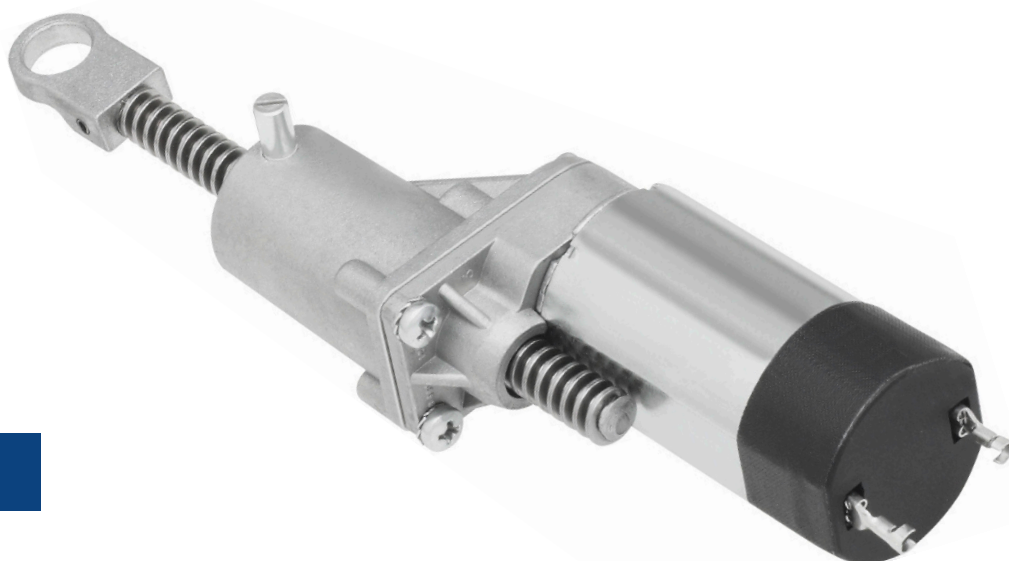


ACTUATOR TYP 100



TYP 100

Actuator	Unit	100/12, Spindle 10x3 101CYYYYYZZZZAAA24	100/12, Spindle 10x6 101NYYYYZZZZAAA24	100/50, Spindle 10x3 105CYYYYYZZZZAAA24	100/50, Spindle 10x6 105NYYYYZZZZAAA24
Article number					
Push force max.	N	500	250	1400	700
Pull force max. **	N	500	250	1400	700
Speed (without load)	mm/s	20	40	5	10
Power rating	W	10...40	10...40	10...40	10...40
Max. stroke**	mm	301	426	180	255
Overall length with rod eye	mm	Length: Stroke + 26mm	Length: Stroke + 26mm	Length: Stroke + 26mm	Length: Stroke + 26mm
Overall length with clevis	mm	Length: Stroke + 36mm	Length: Stroke + 36mm	Length: Stroke + 36mm	Length: Stroke + 36mm
Overall length w. pivot mount	mm	Length: Stroke + 41mm	Length: Stroke + 41mm	Length: Stroke + 41mm	Length: Stroke + 41mm
Voltage	V/DC	12...36	12...36	12...36	12...36
Max. power input	W	50...80	50...80	50...80	50...80
Max. power consumption	A	1,0...3,5	1,0...3,5	1,0...3,5	1,0...3,5
Plug		Blade terminal 4,8x0,5	Blade terminal 4,8x0,5	Blade terminal 4,8x0,5	Blade terminal 4,8x0,5
Cycle duty (S3)	min	1 / 9 (10 %)	1 / 9 (10 %)	1 / 9 (10 %)	1 / 9 (10 %)
Environment temperature	°C	0...40	0...40	0...40	0...40
Protection rate*	IP	up to 41	up to 41	up to 41	up to 41
Isolation class		E	E	E	E
Weight (without spindle)	kg	0,45	0,45	0,45	0,45
Gear reduction		1:12	1:12	1:50	1:50
Integrated end switches		No	No	No	No

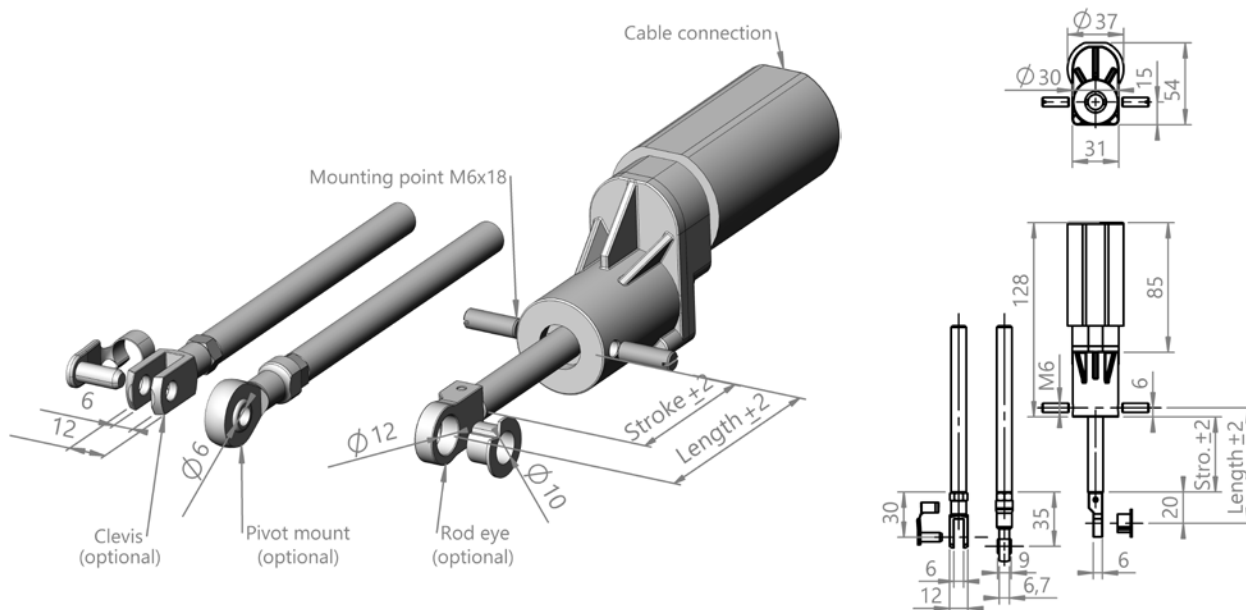
Stroke tolerance (+/- 2mm) force and operating speed depending on load and voltage

*Depends on installation position

**Related to spindle bending at safety factor SF=2

Controllers and add-on components see accessoires

ACTUATOR TYP 100



TYP 100

