

LINEAR GUIDE LIFTER IK90



IK 90

Linear Guide Lifter		IK90, Spindle 12x3	IK90, Spindle 12x6	IK90, Spindle 12x12	IK90, Spindle 12x16	IK90, Spindle 12x30
Article number slider length 160mm		IK90MYYYYYZZZZGGG24	IK90FYYYYYZZZZGGG24	IK90IYYYYZZZZGGG24	IK90JYYYYZZZZGGG24	IK90OYYYYZZZZGGG24
Article number slider length 240mm		IK90MYYYYYZZZZSGG24	IK90FYYYYYZZZZSGG24	IK90IYYYYZZZZSGG24	IK90JYYYYZZZZSGG24	IK90OYYYYZZZZSGG24
Push force max.	N	1400	1200	1000	800	400
Pull force max*	N	500	500	500	500	200
Integrated brake in push direction		No/self-locking	Yes	Yes	Yes	Yes
Max. side load statical with slider 160mm	Nm	250	250	250	250	250
Max. side load dynamical with slider 160mm	Nm	200	200	200	200	200
Max. side load statical with slider 240mm	Nm	350	350	350	350	350
Max. side load dynamical with slider 240mm	Nm	300	300	300	300	300
Speed (without load, 24V)	mm/s	7	15	25	30	60
Length/Stroke max.* with slider 160mm	mm	2000/1765	2000/1765	2000/1765	2000/1765	2000/1765
Length/Stroke max.* with slider 240mm	mm	2000/1685	2000/1685	2000/1685	2000/1685	2000/1685
Slider length**	mm	160/240	160/240	160/240	160/240	160/240
Length/Stroke calculation with slider 160mm	mm	Length=stroke+235	Length=stroke+235	Length=stroke+235	Length=stroke+235	Length=stroke+235
Length/Stroke calculation with slider 240mm	mm	Length=stroke+315	Length=stroke+315	Length=stroke+315	Length=stroke+315	Length=stroke+315
Fixing points ***		4 x M8	4 x M8	4 x M8	4 x M8	4 x M8
Voltage	V/DC	24	24	24	24	24
Max. power input	W	144	144	144	144	144
Max. power consumption	A	6	6	6	6	6
Cable length	mm	2300	2300	2300	2300	2300
Plug type		Molex Mini Fit jr.	Molex Mini Fit jr.	Molex Mini Fit jr.	Molex Mini Fit jr.	Molex Mini Fit jr.
Duty cycle (S3)	min	1/9 (10%)	1/9 (10%)	1/9 (10%)	1/9 (10%)	1/9 (10%)
Environment temperature	°C	+10 to +40	+10 to +40	+10 to +40	+10 to +40	+10 to +40
Protection rate	IP	up to 54	up to 54	up to 54	up to 54	up to 54
Isolation class		III	III	III	III	III
Weight	kg	Length 1000mm approx. 6 kg				
Pulse travel length (2-Hall)	mm/signal	0,0875	0,1714	0,3429	0,4571	0,8571
Integrated end switch		Yes	Yes	Yes	Yes	Yes

Stroke tolerance (+/- 2mm) and operating speed depending on load and voltage

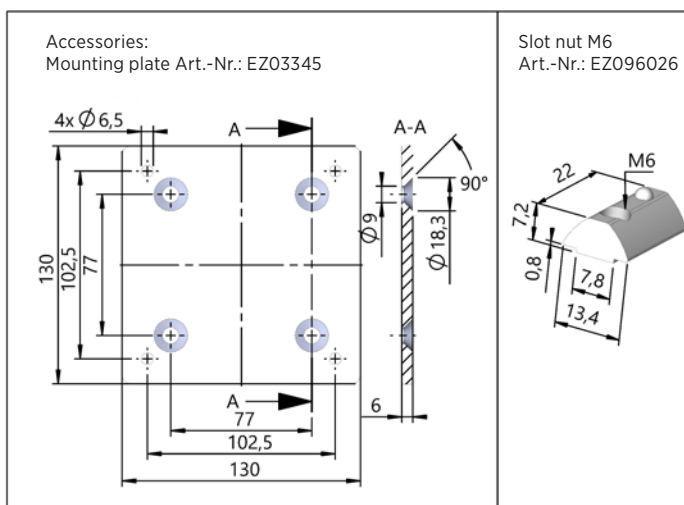
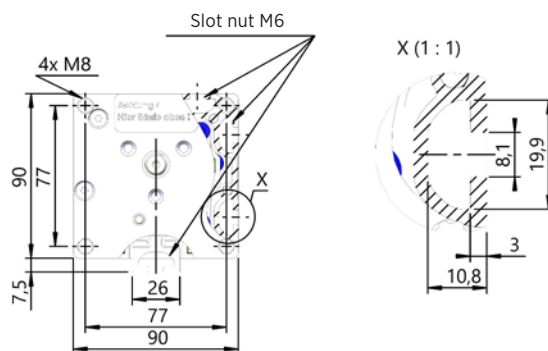
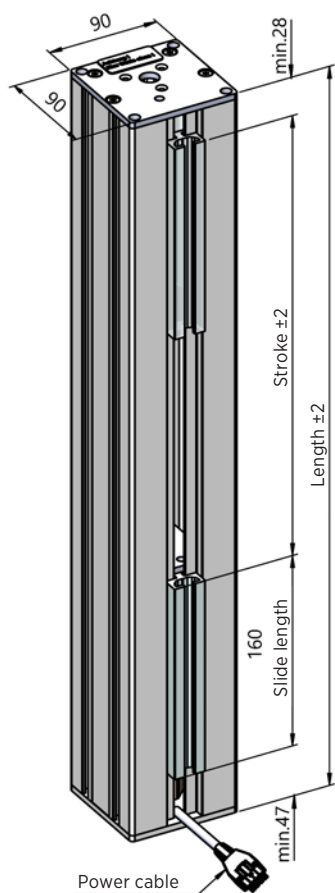
*Depends on installation position

**Other length on demand

*** Screws self cutting/forming according to DIN 7500, thread depth min. L= 2,5 x D

Controllers and add-on components see accessoires

LINEAR GUIDE LIFTER IK90



IK 90

